

CATALOG NO.	CONDUCTOR		BOLT SIZE	FIG. NO.	DIMENSIONS										INSTALLATION TOOLING (# CRIMPS)							
	FLEX	CODE (AWG)			B ±.08	C +.04 -.02	E ±.02	H REF.	K DIA. ±.02	L ±.12	N ±.04	O.D. ±.01	T REF.	Y MIN.	DIE INDEX	COLOR CODE	MECHANICAL		HYDRAULIC		DIELESS (# CRIMPS)	WIRE STRIP LENGTH
																	MD7-34R	BCT500 Y500CT	Y750, PAT750 Y35, BAT35 Y39, BAT750	Y46 \triangleleft 4		
YA32-2TC38E10-FX	313.1 kcmil 775/24 300 kcmil FLEX	---	3/8 [M10]	1			---		4.91 [125]													
2				2.12 [54]	1.40 [36]	1.25 [32]	2.72 [69]	.41 [10]	4.53 [115]	.41 [10]	.95 [24]	.19 [5]	1.68 [43]	18 OR 324	RED	\triangleleft W31VT (4)	\triangleleft W31VT W31RT (4)	\triangleleft U31RT (4)	\triangleleft U31RT (4)	\triangleleft U31RT (4)	HYDRAULIC: Y644, Y644M Y644MBH, PAT644M (1)	2-3/16
3							3.16 [80]			2.70 [69]												

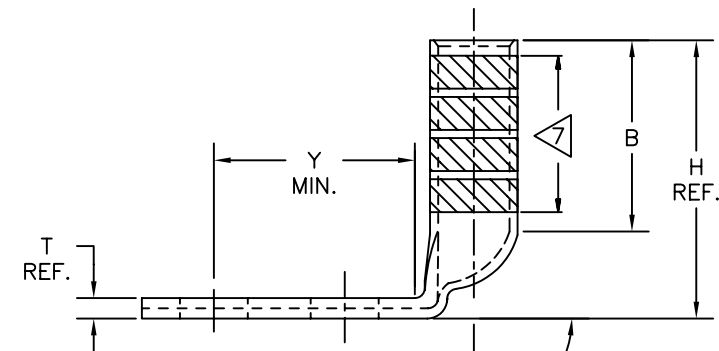
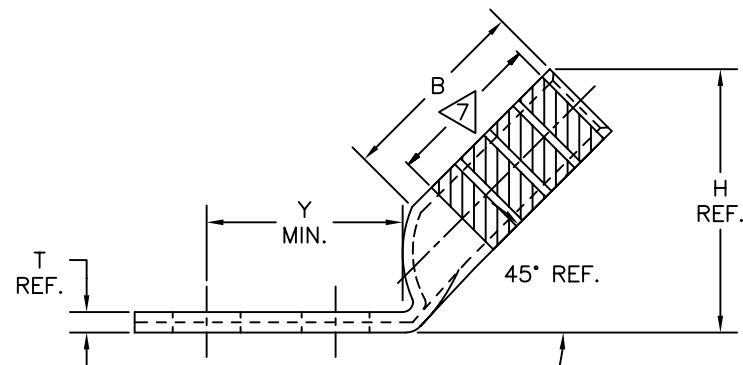
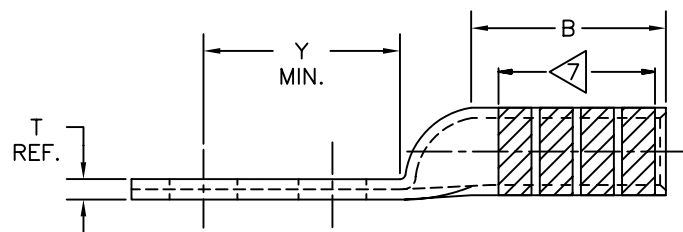
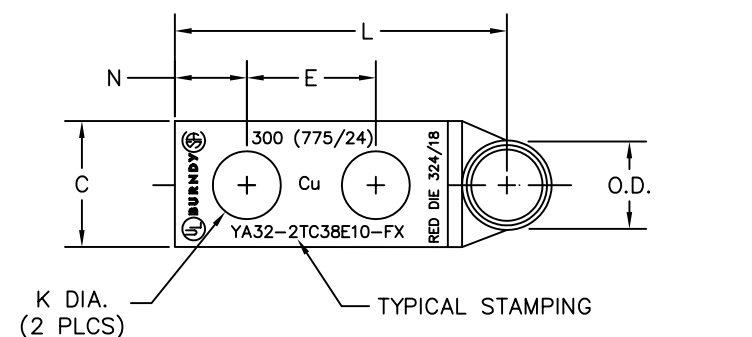
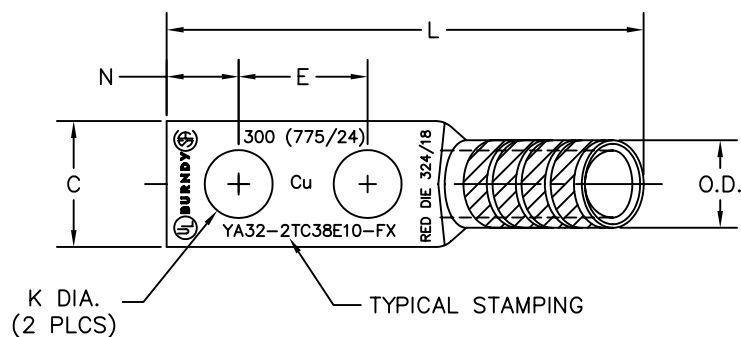
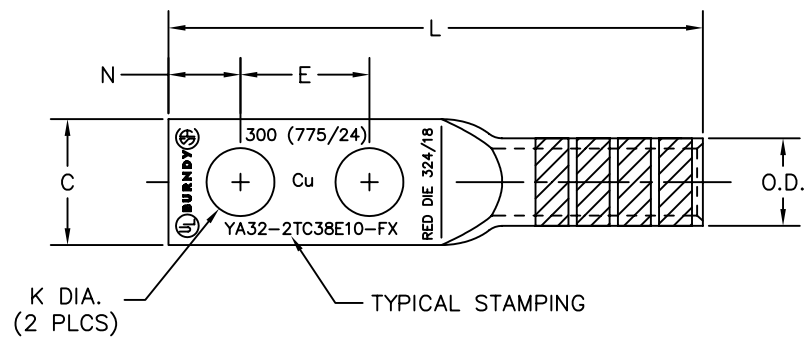


FIG 1

FIG 2

FIG 3

NOTES:

1. MATERIAL: COPPER TUBING.
2. FINISH: TIN PLATED
3. CATALOG # PT6515 ADAPTOR IS REQUIRED TO USE "U" DIES IN Y45 SERIES TOOLS.
4. CATALOG # PUADP-1 ADAPTOR IS REQUIRED TO USE "U" DIES IN Y46 SERIES TOOLS.
5. PERMANENT DIE IN TOOLING.
6. DIMENSIONS IN BRACKETS [] ARE IN MILLIMETERS ROUNDED OFF TO THE NEAREST MILLIMETER, UNLESS OTHERWISE NOTED, AND ARE FOR REFERENCE ONLY.
7. CRIMP (# OF CRIMPS PER TABLE) WITHIN THE LENGTH BETWEEN THE INK STAMPED CRIMPING AREA.

TO ORDER BURNDY® PRODUCTS CALL
 UNITED STATES:
 1-800-346-4175 (LONDONDERRY, NH)
 CANADA:
 1-800-361-6975 (QUEBEC)
 1-800-387-6487 (ALL OTHER PROVINCES)
 FOR PRODUCT INFO: <http://www.burndy.com>

HYLUG™ (TWO HOLE FLEX)	
ITEM NO: N/A	
CAT NO: YA32-2TC-FX	
SCALE: NTS	
DRAWN BY: R. BOISVERT 03/05/09	
CHECKER: J. MICHAUD 03/09/09	
DSN APPVL: J. MICHAUD 02/26/09	
MFG APPVL: -- --	
QC APPVL: J. BRODEUR 03/03/09	
MKT APPVL: J. SYLVIA 03/03/09	
PROD FAM: --	
PROJECT #: --	
DOCUMENT TYPE: Sales	
REL LEVEL: AutoCAD	
DRAWING NO	REV
10098154	A
SHEET 1 OF 1	

REV.	DATE	DESCRIPTION	ECO	BY	C'K'D.
A	03/05/09	DRAWING RELEASED	17630	RB	JM